

# Exact PipeCut INOX 360

11.11.2021

Pos.	Part n:o	Description-ENG	Pcs/unit
3	590872-09	Screw M5x6 ISO 7380	4
3,5	725269	Washer M5 DIN 125	2
4	10080-01	Screw M5x12 DIN 7991	6
6	11177-00	Special screw M8x40	16
7	15745-00	Inox roller 360 FI24	8
8	11704-20	Flange bearing	1
8,5	11566-10	Flange bearing GFM-101216-06	1
9	10905-10	Bellows base plate	1
11	15464-00	Protection bellows PC360 PS	1
12	15571-00	Counter peg	1
13	15466-00	Body profile PC360 PS	1
14	11176-00	Sliding bearing (GSM-0810-20)	8
19	10910-30	Attachment block (plate)	1
21	11665-00	Trapeze screw with nuts 360	1
23	10916-00	Screw support sleeve	2
24	11897-00	Trapeze screw lock yellow	1
25	590872-20	Cap head screw M5x12 ISO 7380	4
26	911258	Spring pin (Rolled pin)	1
27	11175-00	Washer GTM-0818-010 DIN 7979	8
29	10913-10	Gripper knob	1
33	11454-00	Pulling profile bracket R	2
34	11455-00	Pulling profile bracket L	2
35	10980-02	Spring washer 8,4/18/1 BN 802	2
36	10985-02	Hex nut M8 DIN439B	1
37	725886	Hex nut M8 DIN985	1
40	15509-00	Square laser holder	1
46	15479-30	Laser cover	1
49	15520-00	Slide plate spring	1
53	15517-00	Blade guard bushing	1
54	725471	Retaining rings 12 DIN 471	1
55	742168	Pin 3x14	1
56	15519-00	Lifting Spring	1
57	15518-00	Main shaft	1
58	15497-00	Rubber Bushing	1
63	10951-10	Protective cable sleeving	1
64	15491-00	Carbon Brush Cable	2
69	15523-00	Blade guard spring	1
72	15472-00	Lock Hook	1
73	11553-00	Lock Hook Spring	1
74	15516-00	Spacer	1
75	378975-00	Cable Clamp	1
76	249233-00	Washer A4,3 DIN 125	1
77	15503-00	Air deflector	1
78	15475-00	Backlash plate	1
79	10986-00	Screw K40/8	2
80	15387-00	Handle Al 160mm	1
81	10983-03	Dowel pin 6x18 DIN 7	1
82	10983-04	Dowel pin 3x12 DIN 7	2
85	10987-09	Screw M10x16 BN1206	3
87	11772-10	Bushing	1
88	10987-11	Screw M8x20 BN 1206	2
91	11541-00	Elastic Bar	1
92	10080-07	Screw M5x16 DIN 7991	8
94	10986-03	Screw PT40x18	7
96	10273-00	Circlip 8 Fe DIN 6799	1
97	11552-00	Spindle Lock Spring 170	1
99	15482-00	Spindle Lock	1

Pos.	Part n:o	Description-ENG	Pcs/unit
101	11133-00	Washer 6,4/11 DIN 137A	1
103	15481-10	Gearbox PC360 PS + labels	1
104	11538-01	Locking Lever with Yellow indicator	1
110	15499-00	Fastener	4
111	15500-00	Traffic light	1
112	15501-00	Traffic light sticker	1
114	15506-00	Battery box	1
116	15504-00	Electric switch R13-502A	1
117	15508-00	Laser	1
119	15476-90	Air flow limiter	1
120	15477-90	Battery cover	1
122	11570-10	Pin screw M3x3 DIN 913	1
123	15522-00	Electric switch 13x19,2	1
124	725927	Allen key 5 BLACK	1
125	15487-00	Bearing holder	1
126	15502-20	Motor Body blue + labels	1
127	11539-00	Draw Bar 170	1
128	15493-00	Temperature sensor	1
129	15494-00	Electronics unit 230V	1
129	15494-50	Electronics unit 120V	1
130	15559-00	Armature 230 V with bearings	1
130	15560-00	Armature 120 V with bearings	1
131	15567-00	Field Coil 230V + Temp. Sens.	1
131	15568-00	Field Coil 120V + Temp. Sens.	1
132	15488-00	Brush holder 230V	2
132	15488-50	Brush holder 120V	2
134	11797-00	Electric switch Marquard	1
135	15492-00	Speed sensor	1
136	10949-00	Power Cord EU	1
136	15570-00	Power cord UK 3-pin round	1
136	11023-15	Power cord US 120V	1
138	11534-10	Handle right - BLUE	1
139	11530-10	Handle left - BLUE	1
140	15486-00	End cup - YELLOW	1
141	15755-00	Lower blade Guard PC360 INOX - SA	1
142	15484-03	Blade guard top PC360 INOX	1
180	10987-02	Screw M4x6 BN 1206	5
181	11184-00	Holder wheel black	8
186	10987-13	Screw M4x16 BN1206	2
187	10976-11	Screw M4x10 DIN 912	2
188	10987-12	Screw M6x8 BN 1206	1
189	10976-05	Screw M6x40 DIN 912	1
191	15463-00	Body panel	1
195	10910-35	Attachment block (plate) - machined	1
230	15478-90	Laser holder	1
231	11252-00	Retaining rings 6 DIN 471	1
234	10985-10	Hex Nut M10x1,5 DIN439B	2
235	10393-10	Washer M10 DIN125A	2
236	15345-00	Screw M5x7	1
240	725929	Washer A8,4 DIN 125	24
241	15543-00	Rubber spacer	4
247	10248-00	Washer 12x18x0,5 DIN 988	2
248	11121-00	Allen key 2 Black	1
249	15557-00	Screw M6x6	1
256	15566-00	Gear shaft PC360 PS - SA	1
320	15718-00	Cutter shaft PC360 PS - SA - B	1
321	15514-10	Blade flange PC360 PS fi15	1

Pos.	Part n:o	Description-ENG	Pcs/unit
------	----------	-----------------	----------

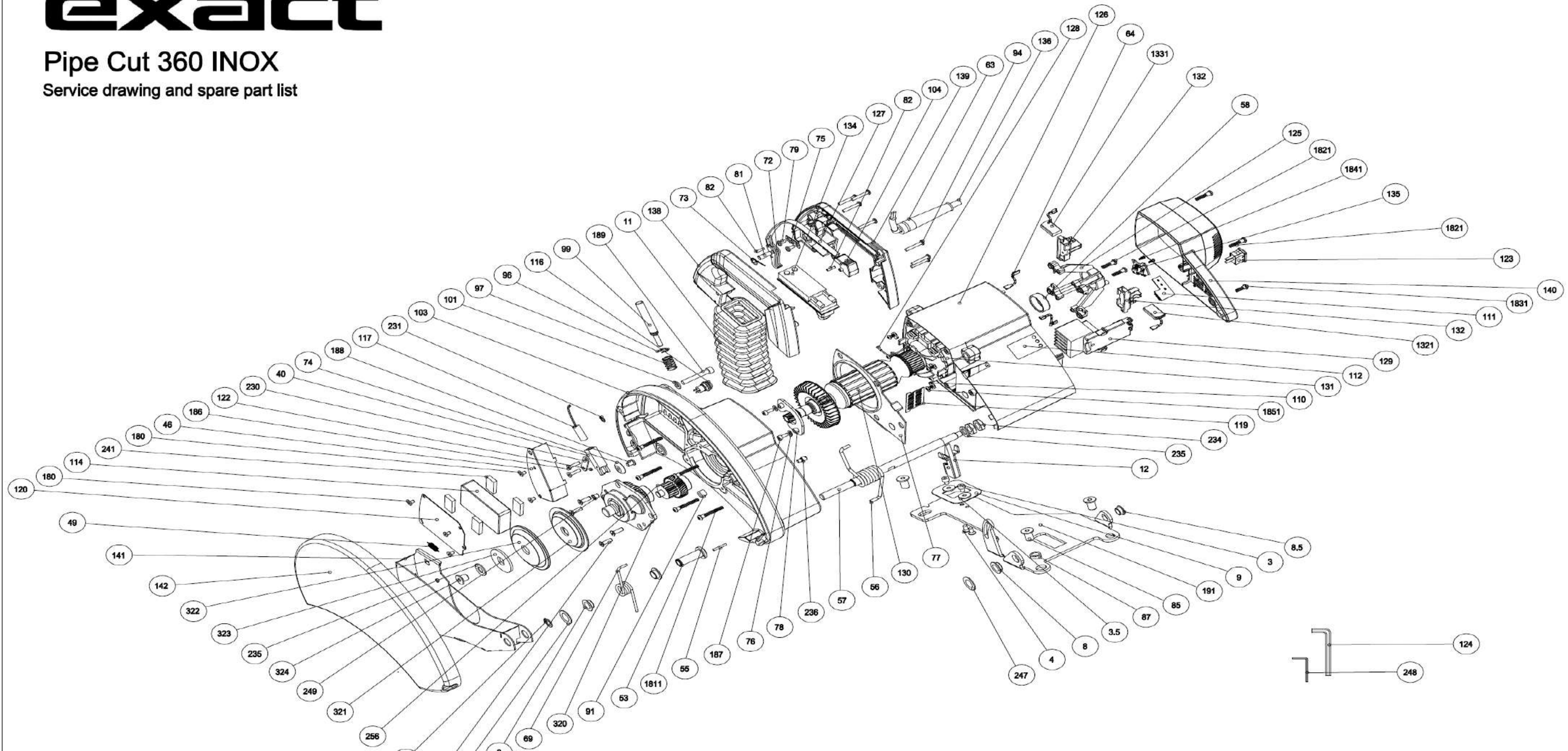
Pos.	Part n:o	Description-ENG	Pcs/unit
------	----------	-----------------	----------

	15529-00	Carry bag Exact PC280/360 PS	1
A	15748-00	Pulling profile PC360 INOX - SA	2
B	15746-00	Turning profile left/right PC360 INOX - SA	2

322	11542-00	Attachment flange 80 mm	1
323	10944-01	Pulling flange washer	1
324	10987-01	Blade Screw M10x10 BN1206	1
1321	15489-00	Carbon brush 230V	1
1331	15490-00	Carbon brush SWU 230V	1
1331	15490-50	Carbon brush SWU 120V	2
1441	11188-11	Pipe Support PS double, yellow	1
1445	11191-11	Pipe Support PS single, yellow	2
1811	10986-12	Screw K50x35 WN1452	5
1821	10986-11	Screw K50x20 WN1452	4
1831	10986-10	Screw K50x16 WN1452	1
1841	15336-10	Screw PT K30x6	2
1851	10986-20	Screw K42x10 WN1452	4

# exact

Pipe Cut 360 INOX  
Service drawing and spare part list

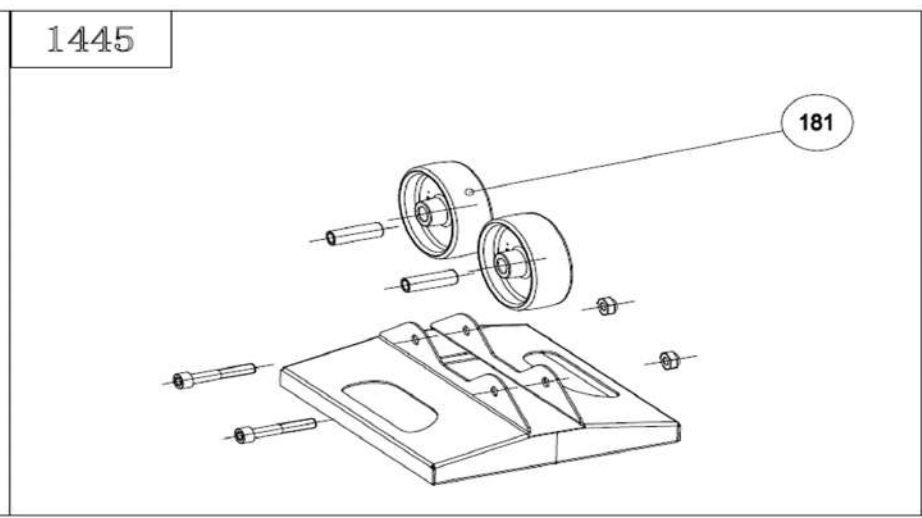
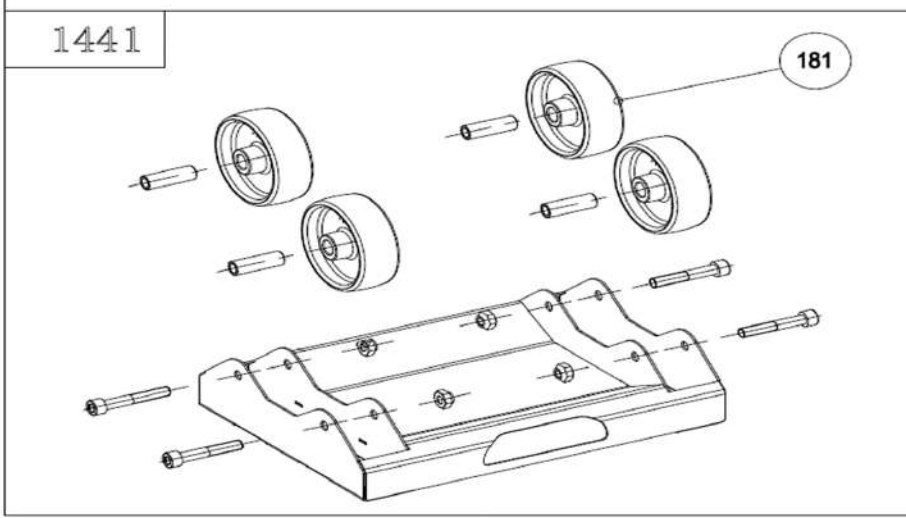
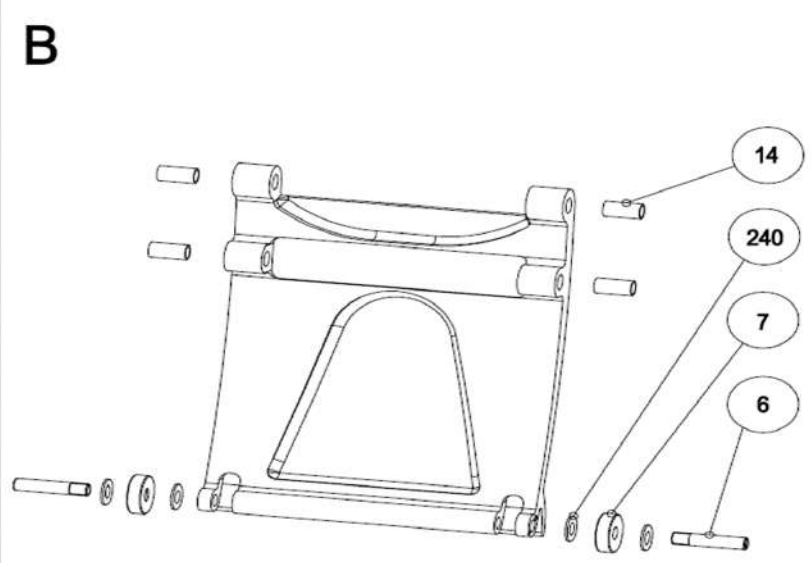
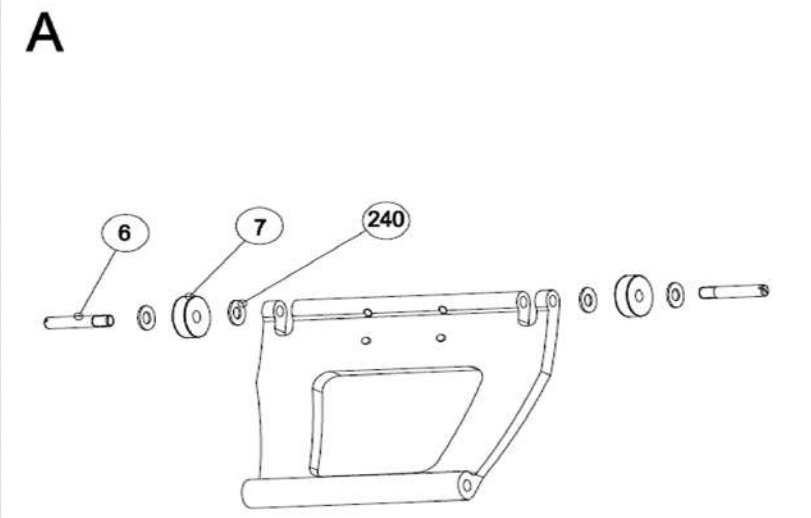
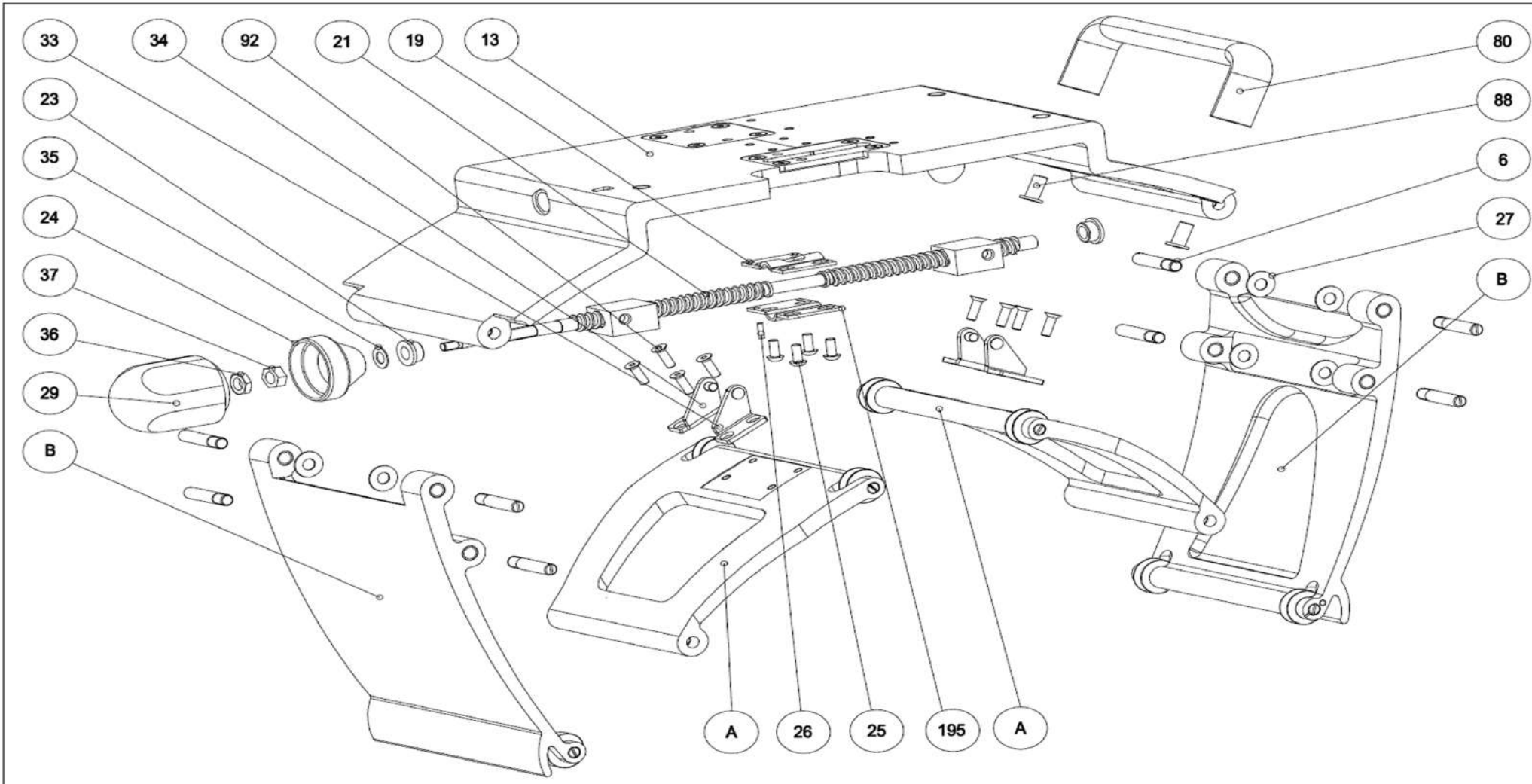


Pos.	Part n:o	Description-ENG	Pcs/unit
------	----------	-----------------	----------

Pos.	Part n:o	Description-ENG	Pcs/unit
------	----------	-----------------	----------

Code: 15751-00

verz.1, 2020-10



Pos.	Part n:o	Description-ENG	Pcs/unit
------	----------	-----------------	----------

<b>130</b>	<b>15559-00</b>	<b>Armature 230 V with bearings</b>	<b>1</b>
70	15525-00	Bearing	1
59	15524-00	Bearing	1
113	15498-00	Magnet X NR808	1
130	15496-00	Armature 230 V	1

<b>130</b>	<b>15560-00</b>	<b>Armature 120 V with bearings</b>	<b>1</b>
70	15525-00	Bearing	1
59	15524-00	Bearing	1
113	15498-00	Magnet X NR808	1
130	15496-50	Armature 120 V	1

<b>72</b>	<b>15472-00</b>	<b>Lock Hook</b>	<b>1</b>
61	15473-00	Lock hook in	2
62	15471-00	Lock hook out	2
60	248082-00	Rivet 3,2x10 DIN 7337 Al	1

<b>104</b>	<b>11538-01</b>	<b>Locking Lever with attention sticker</b>	<b>1</b>
1040	11538-00	Locking Lever	1
1060	11134-60	Attention Sticker Yellow	1

<b>12</b>	<b>15571-00</b>	<b>Counter Peg - SA</b>	<b>1</b>
120	15465-00	Counter peg	1
1920	15540-00	Side support left	1
1930	15540-05	Side support right	1
1940	590532-00	Rivet 4x16 DIN7337A	2

<b>320</b>	<b>15718-00</b>	<b>Cutter shaft PC360 PS - SA - B</b>	<b>1</b>
450	15483-00	Gear cover	1
390	15526-00	Bearing	1
440	15527-00	Bearing	1
1800	10987-02	Screw M4x6	3
2430	15544-00	Key A5x5x18 DIN 6885	1
420	590874-28	Retaining rings 14x1 DIN 471	1
430	590874-29	Retaining rings 17x1 DIN 471	1
520	15512-00	Gear 4, Z=47	1
325	15655-00	Blade shaft - B	1
710	15524-10	Bearing	1

<b>256</b>	<b>15566-00</b>	<b>Gear shaft PC360 PS - SA</b>	<b>1</b>
2680	15384-01	Key A5x5x10 DIN 6885	1
710	15524-10	Bearing	1
2330	590874-27	Retaining rings 16x1 DIN 471	1
500	15510-00	Gear 2, Z=33	1
510	15511-00	Gear 3, Z=18	1

<b>141</b>	<b>15755-00</b>	<b>Lower blade Guard PC360 INOX - AS</b>	<b>1</b>
1410	15754-00	Lower blade Guard PC360 INOX	1
480	15485-90	Slide plate	1
470	11251-10	Rivet 4x6 DIN 7337 Al	1

<b>21</b>	<b>11665-00</b>	<b>Trapeze 360,360E and nuts 17,18</b>	<b>1</b>
210	11150-00	Trapeze screw	1
170	11148-00	Transfer sleeve L. handed	1
180	11149-00	Transfer sleeve R. handed	1

<b>A</b>	<b>15748-00</b>	<b>Pulling profile PC360 PS - SA</b>	<b>1</b>
22	15410-10	Pulling profile PC360 painted dark blue	1
6	11177-00	Special screw M8x40	2
240	725929	Washer A8,4 DIN 125	4
7	15745-00	Inox roller 360	2

<b>B</b>	<b>15746-00</b>	<b>Turning profile PC360 INOX left/right - SA</b>	<b>1</b>
16	15468-00	Turning profile right PC360E - painted dark blue	1
6	11177-00	Special screw M8x40	2
7	15745-00	Inox roller 360	2
14	11176-00	Sliding bearing	4
240	725929	Washer A8,4 DIN 125	4